



**Moving Forward**

BATTERY TECHNICAL DATASHEET

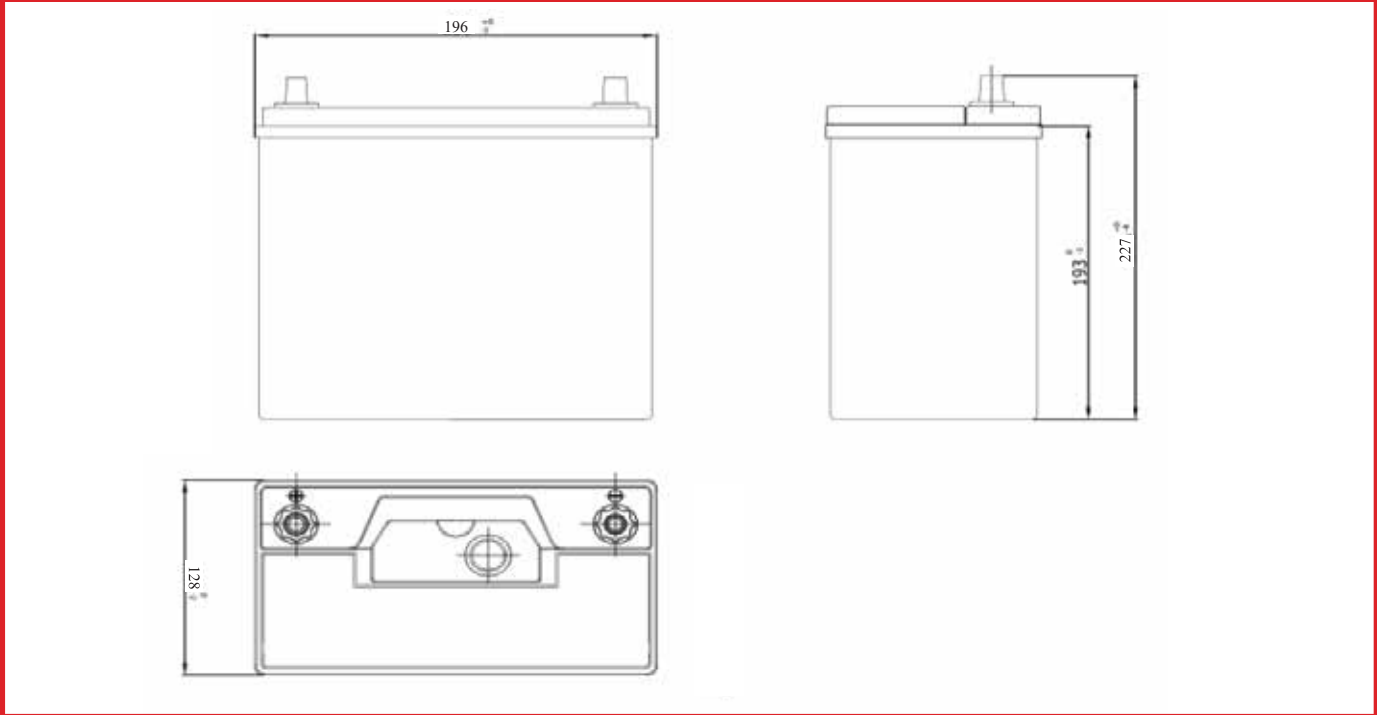
**E400L**

**PRODUCT SPECIFICATIONS**

Design Code: **5362023**

Approval Date: **12.08.2016**

**TECHNICAL DRAWING OF E400L**



**PRODUCT AND PHYSICAL SPECIFICATIONS**

BCI GROUP CODE	MODEL NO.	VOLTAGE	CELLS	TERMINAL TYPE	DIMENSIONS			WEIGHT	
					L	W	H		
--	E400L	12	6	3	196	128	227	9.75kg	± 3%

**ELECTRICAL SPECIFICATIONS**

CRANKING PERFORMANCE			RESERVE CAPACITY (Minutes)	CAPACITY AMP HOURS(Ah)
CA @ 0°C	CCA @ 0°F	HCA @ 30°C	@ 25 AMPS	20-Hr
310	280	350	50	40

**PRODUCT AND PHYSICAL SPECIFICATIONS**

BOX TYPE	BOX COLOUR	HOLD DOWN TYPE	LID TYPE	LID COLOUR	TERMINAL LAYOUT	INDICATOR
NS40	BLACK	-	SMF	BLACK	0	INCLUDED

**PHYSICAL BATTERY SPECIFICATIONS DIAGRAMS**

HOLD DOWN TYPE	TERMINAL LAYOUT	TERMINAL TYPE
NO HOLD DOWN		<p>3 SMALL DIAMETER TAPERED TERMINAL (JIS)</p>