



**Moving Forward**

BATTERY TECHNICAL DATASHEET

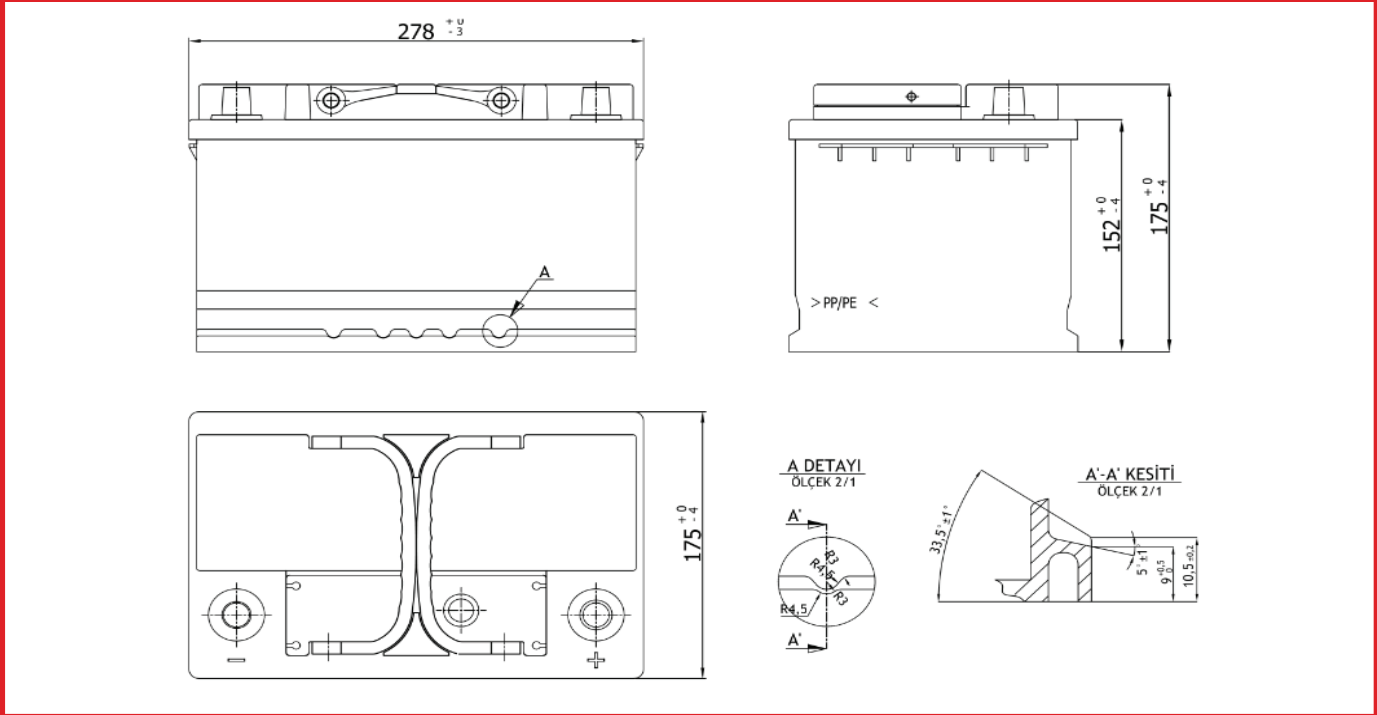
**DIN66**

**PRODUCT SPECIFICATIONS**

Design Code: 5662005

Approval Date: 12.08.2016

**TECHNICAL DRAWING OF DIN66**



**PRODUCT AND PHYSICAL SPECIFICATIONS**

BCI GROUP CODE	MODEL NO.	VOLTAGE	CELLS	TERMINAL TYPE	DIMENSIONS			WEIGHT
					L	W	H	
42/91	DIN66	12	6	1	278	175	175	16.15kg ± 3%

**ELECTRICAL SPECIFICATIONS**

CRANKING PERFORMANCE			RESERVE CAPACITY (Minutes)	CAPACITY AMP HOURS(Ah)
CA @ 0°C	CCA @ 0°F	HCA @ 30°C	@ 25 AMPS	20-Hr
650	610	720	100	66

**PRODUCT AND PHYSICAL SPECIFICATIONS**

BOX TYPE	BOX COLOUR	HOLD DOWN TYPE	LID TYPE	LID COLOUR	TERMINAL LAYOUT	INDICATOR
L3B	BLACK	B14 (5 Notch)	SMF	BLACK	0	INCLUDED

**PHYSICAL BATTERY SPECIFICATIONS DIAGRAMS**

HOLD DOWN TYPE	TERMINAL LAYOUT	TERMINAL TYPE
<p><b>B14</b></p> <p>19 100 MAX</p> <p>LIKE B4 WITH 5-NOTCHES</p>	<p><b>0</b></p> <p>L</p>	<p>1.8-1 Ø 19.5-0.3 Ø 17.9-0.3</p> <p>1 TAPERED TERMINAL IN COMPLIANCE WITH DIN 72311 T.4</p>